



REPLY TO
ATTENTION OF

DEPARTMENT OF THE ARMY
THE INSTITUTE OF HERALDRY
9325 GUNSTON ROAD, ROOM 8112
FORT BELVOIR, VIRGINIA 22060-5579

AAHS-IHS (840-10a)

11 OCT 2010

MEMORANDUM FOR Commander, 127th Engineer Battalion, ATTN: CSM Ernest McGee, 5342 Ardennes Road, Building C-5635, Fort Bragg, NC 28307

SUBJECT: Beret Flash and Background Trimming for the 127th Engineer Battalion

1. In accordance with the provisions of AR-670-1, a beret flash and background trimming are authorized for wear by members of the 127th Engineer Battalion.
2. The descriptions of the designs are as follows:

BERET FLASH

A scarlet shield-shaped embroidered item with a semi-circular base edged with a 1/8 inch (.32 cm) ultramarine blue inner border and a 1/8 inch (.32 cm) star yellow outer border. The overall dimensions are 2 1/4 inches (5.72 cm) in height and 1 7/8 inches (4.76 cm) in width.

BACKGROUND TRIMMING

A scarlet oval-shaped embroidered item edged with a 1/8 inch (.32 cm) ultramarine blue inner border and a 1/8 inch (.32 cm) star yellow outer border. The overall dimensions are 1 3/8 inches (3.49 cm) in height and 2 1/4 inches (5.72 cm) in width.

CABLE NUMBERS OF COLORS

| | |
|------------------|--------|
| Scarlet | #67111 |
| Star Yellow | #67145 |
| Ultramarine Blue | #67118 |

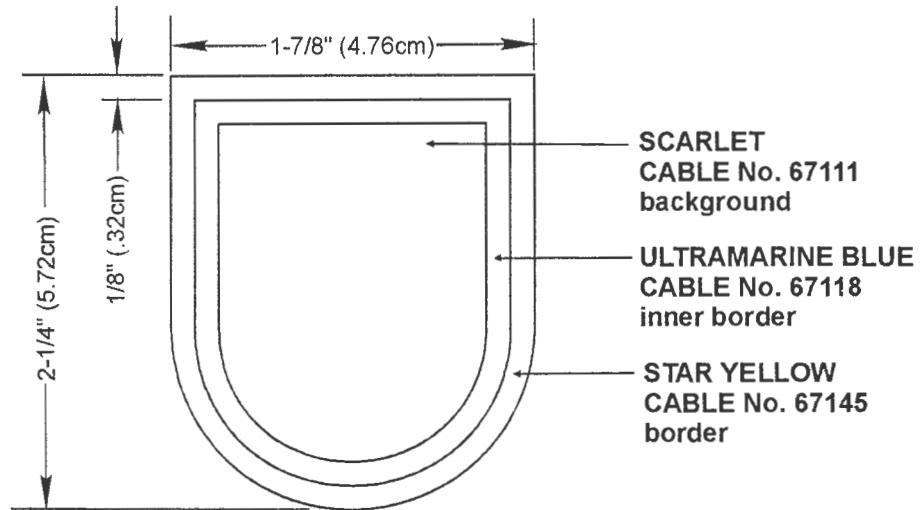
3. This authorization does not grant exclusive use of the above colors and pattern design for the 127th Engineer Battalion.

CHARLES V. MIGNOLO
Director

CF: CMH

REVISIONS

| LTR | DESCRIPTION | DATE | APPROVED |
|-----|-------------|------|----------|
|-----|-------------|------|----------|



DESIGNED FOR OVEREDGE STITCHING

UNLESS OTHERWISE SPECIFIED DIMENSIONS ARE IN INCHES
TOLERANCES ON FRACTIONS DECIMALS ANGLES

MATERIALS:
TO BE MANUFACTURED IN ACCORDANCE WITH MIL-DTL-14652

| | | |
|----------|------------|------------|
| EXAMINED | <i>Jao</i> | |
| CHECKED | <i>JW</i> | <i>500</i> |
| PREPARED | <i>R</i> | |

APPROVED
Charles V. Mugno

CHARLES V. MUGNO
DIRECTOR

THE INSTITUTE OF HERALDRY, DEPARTMENT OF THE ARMY
9325 GUNSTON RD, RM S-113 FORT BELVOIR, VA 22060-5579

BERET FLASH FOR

127TH ENGINEER BATTALION

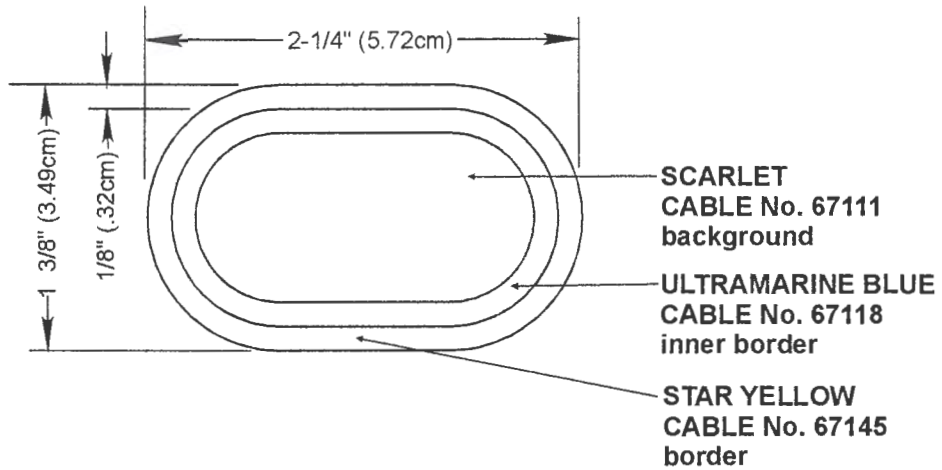
SIZE CONTROL IDENT. NO
A 22571

A-4-286

SCALE FULL DATE 8 OCTOBER 2013

REVISIONS

| LTR | DESCRIPTION | DATE | APPROVED |
|-----|-------------|------|----------|
|-----|-------------|------|----------|



DESIGNED FOR OVEREDGE STITCHING

UNLESS OTHERWISE SPECIFIED DIMENSIONS ARE IN INCHES TOLERANCES ON FRACTIONS DECIMALS ANGLES

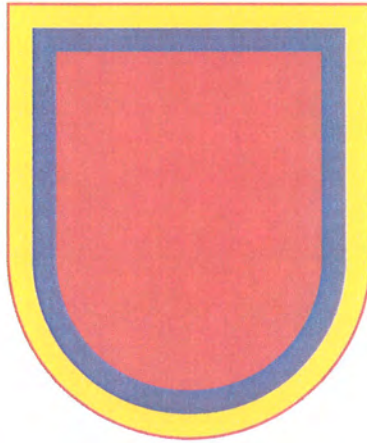
MATERIALS:
TO BE MANUFACTURED IN ACCORDANCE WITH MIL-DTL-14652

| | | |
|----------|------------------------------|------------|
| EXAMINED | <i>JAD</i> | |
| CHECKED | <i>JW</i> | <i>SAD</i> |
| PREPARED | <i>R</i> | |
| APPROVED | <i>Charles V. Mugno</i> | |
| | CHARLES V. MUGNO DIRECTOR | |

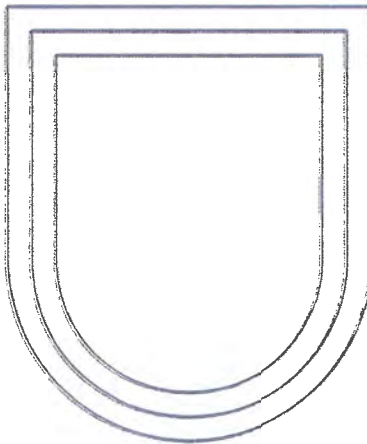
THE INSTITUTE OF HERALDRY, DEPARTMENT OF THE ARMY
9325 GUNSTON RD, RM S-113 FORT BELVOIR, VA 22060-5579

BACKGROUND TRIMMING FOR
127TH ENGINEER BATTALION

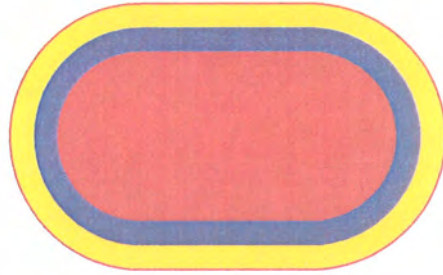
| | | |
|----------|-------------------|-----------------------|
| SIZE | CONTROL IDENT. NO | A-6-311 |
| A | 22571 | |
| SCALE | FULL | DATE |
| | | 8 OCTOBER 2013 |



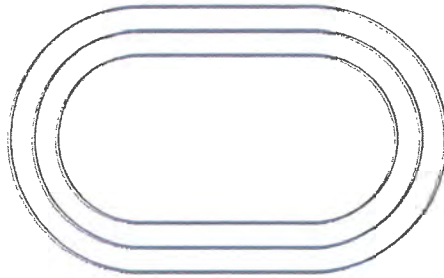
*BERET FLASH
127TH ENGINEER BATTALION*



*BERET FLASH
127TH ENGINEER BATTALION*



*BACKGROUND TRIMMING
127TH ENGINEER BATTALION*



*BACKGROUND TRIMMING
127TH ENGINEER BATTALION*